
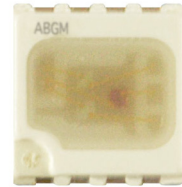


seddLED3.0 A3A-FKG-RGB-1

Function and Features:

- > Small package outline (LxWxH) of 3.2 x 3.3 x 1.35mm.
- > Superior corrosion resistant.
- > Serial communication with ISELED® compliance. 
- > Qualified according to JEDEC moisture sensitivity Level 2.
- > Bi directional, half-duplex, 2MBit/s, serial communication.
- > Pre-Calibrated Individual R.G.B LED to specified intensity.
- > Pre-Calibrated Blue & True Green LED color to 2nm range.
- > Brightness & color stability over temperature.
- > 8 bit brightness resolution for red, green, and blue LED.
- > Temperature compensation on red for constant brightness.
- > Build-in diagnostic functions.
- > Auto addressing of LED via the serial bus in daisy chain.
- > Environmental friendly, RoHS compliance.
- > Compliance to automotive standard; AEC-Q102 & AEC-Q100.



Applications:

- > Automotive interior ambient lighting.
- > Backlight.

Optical Characteristics (Tj=25°C)

Part Number	Color Set Point	Color	Dominant Wavelength (nm) (typ)	Luminous Intensity (mcd) ^{Appx. 1.1} (typ)
A3A-FKG-RGB-1	(255, 0, 0)	Red	619 - 625	400.0
	(0, 255, 0)	True Green	524.5 - 526.5	1600.0
	(0, 0, 255)	Blue	459.5 - 461.5	250.0

Absolute Maximum Ratings

Parameter	Min.	Max.	Unit
V _{CC} Voltage	-0.25	7.0	V
V _{SIO1_P} , V _{SIO1_N} , V _{SIO2_P} , V _{SIO2_N} (Serial IO Voltage)	-0.48	7.0	V
V _{PRG} Voltage	-0.20	7.0	V
ESD threshold (HBM)	-	2.5	kV
Junction Temperature	-	125	°C
Storage temperature	-40	125	°C
Rth JS elec (typ 93)	-	120	K/W
Rth JS real (typ 108)	-	139	K/W

* Color Set Point (255, 255, 255)

Recommended Operating Conditions

Parameter	Min.	Typ.	Max.	Unit
VCC Voltage	4.5	5.0	5.5	V
V _{SIO1_P} , V _{SIO1_N} (Serial IO Voltage)	4.5	5.0	5.5	V
Ambient Temperature	-40	-	110	°C

Serial Interface *Appx. 3.1*

Parameter	Description	Min.	Typ.	Max.	Unit
fSIO1_P,single ended	Single ended data rate SIO1_P	1.40	2.00	2.60	MHz
fSIO1_N,single ended	Single ended clock rate SIO1_N	2.80	4.00	5.20	MHz
V _{IH,se}	Single ended input high voltage	1.20	-	-	V
V _{IL,se}	Single ended input low voltage	-	-	1.14	V
V _{Iamp,diff}	Differential input amplitude	150	250	325	mV
V _{Oamp,diff}	Differential output amplitude	175	250	325	mV

Current Consumptions Across Operating Temperature Range

		Min.	Typ.	Max.	Unit
LED Green	I _{average}	0*	18.0	25.0	mA
	I _{peak}	0*	-	40.5	mA
LED Blue	I _{average}	0*	18.0	25.0	mA
	I _{peak}	0*	-	60.2	mA
LED Red	I _{average}	0*	8.9	26.7	mA
	I _{peak}	0*	-	26.7	mA
Driver	I _{vcc}	0.9	1.2	1.5	mA

* LED current set to zero by command.

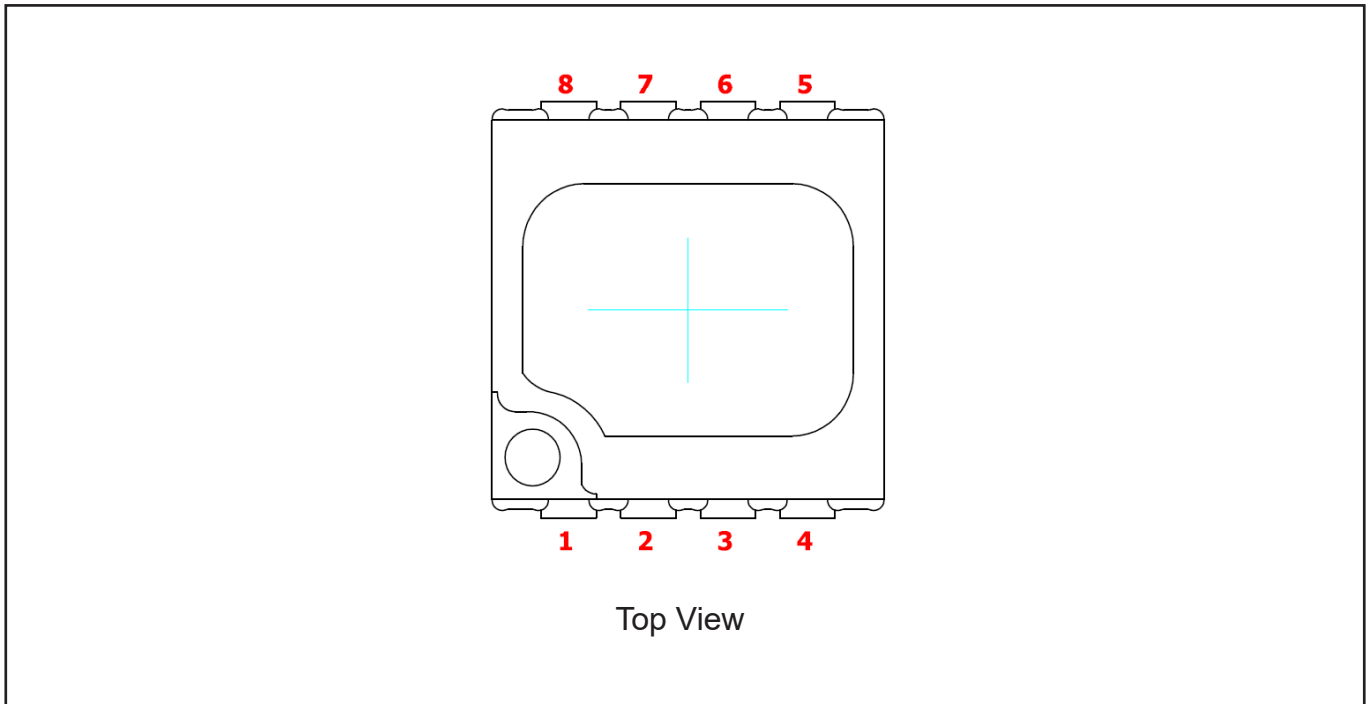
Power on Reset (POR)

Parameter	Min.	Typ.	Max.	Unit
V_{POR}	4.0	4.2	4.4	V

Undervoltage - lockout

Parameter	Min.	Typ.	Max.	Unit
V_{uvlo}	3.2	3.3	3.4	V

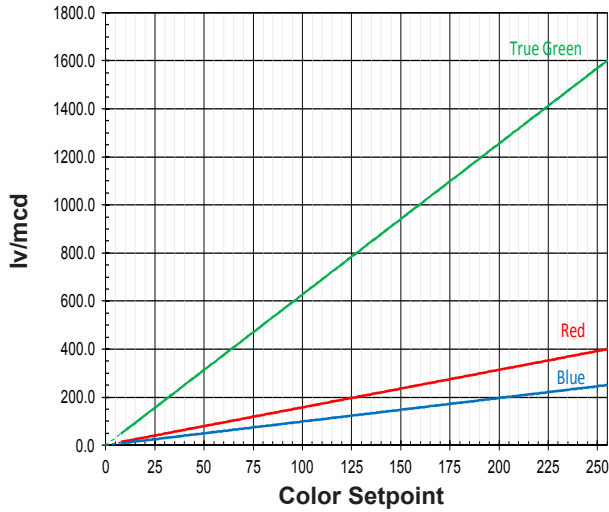
Pin Configuration



Pin	Pin	Direction	Description
1	PRG	IN	Has to be connected to GND for proper operation
2	SiO1_N	IO	Serial Communication Interface Master Side, Negative Polarity
3	SiO1_P	IO	Serial Communication Interface Master Side, Positive Polarity
4	GND	Supply	Ground
5	GND	Supply	Ground
6	SiO2_P	IO	Serial Communication Interface Slave Side, Positive Polarity
7	SiO2_N	IO	Serial Communication Interface Slave Side, Negative Polarity
8	VCC_5V	Supply	5V Supply

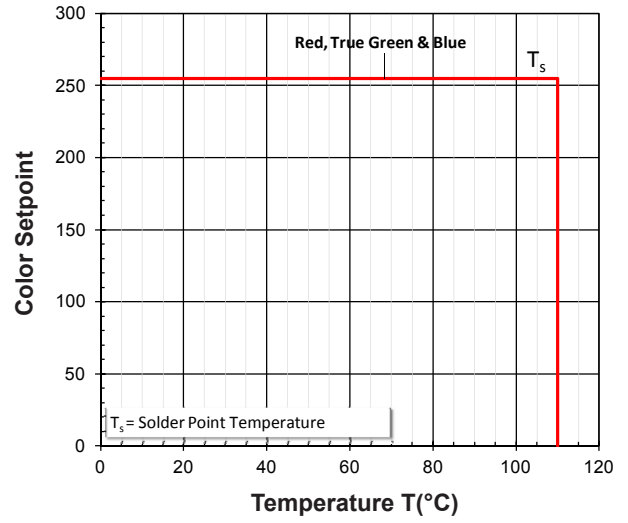
Relative Luminous Intensity

$I_v = f(\text{color setpoint}); T_j = 25^\circ\text{C}; \text{DIM } 0$



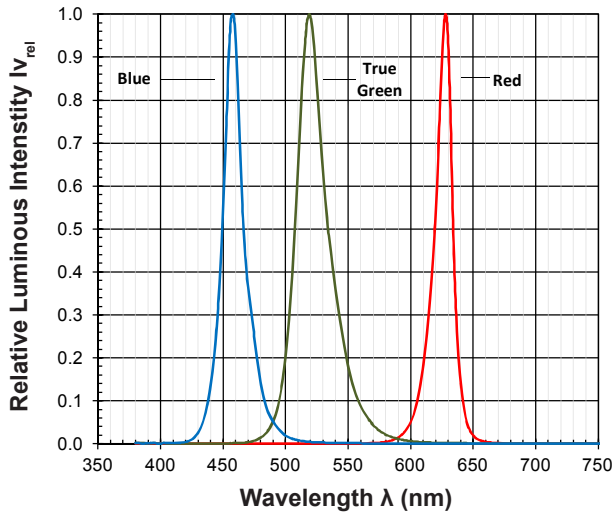
Maximum Color Setpoint Vs Temperature

$\text{Color Setpoint} = f(T); \text{Color Setpoint}=(255,255,255)$

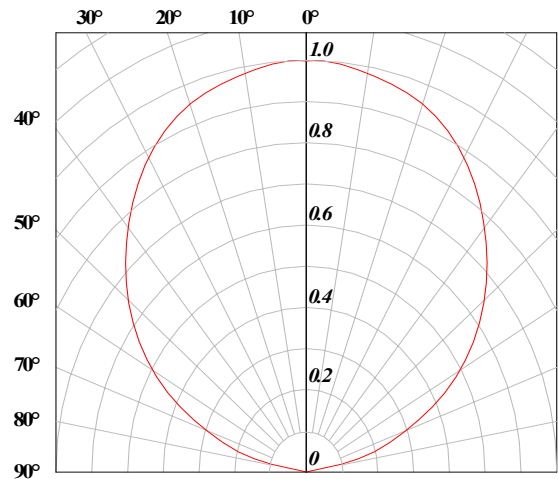


Relative Spectral Emission

$I_{\text{rel}} = f(\lambda); T_j = 25^\circ\text{C}; \text{Color Setpoint}=(255,255,255)$

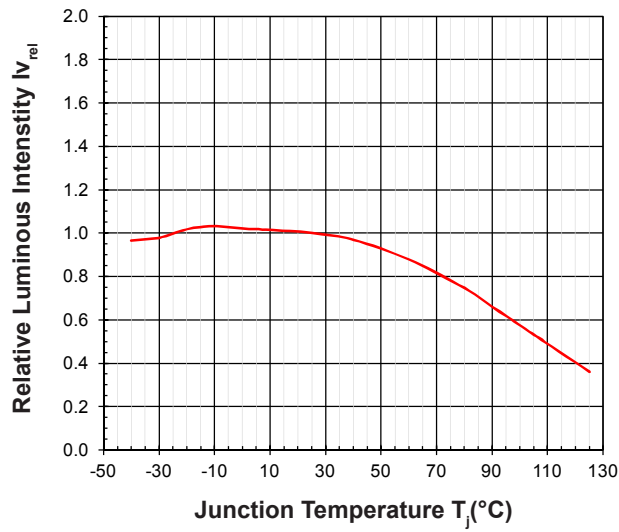


Radiation Pattern



Relative Luminous Intensity Vs Junction Temperature

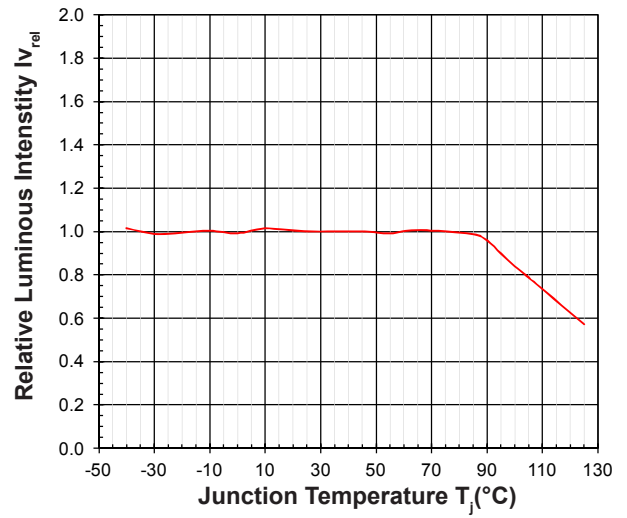
$I_v / I_v (25^\circ\text{C}) = f(T_j)$; Color Setpoint= (255,0,0)
 Red (Linear Compensation)



Relative Luminous Intensity Vs Junction Temperature

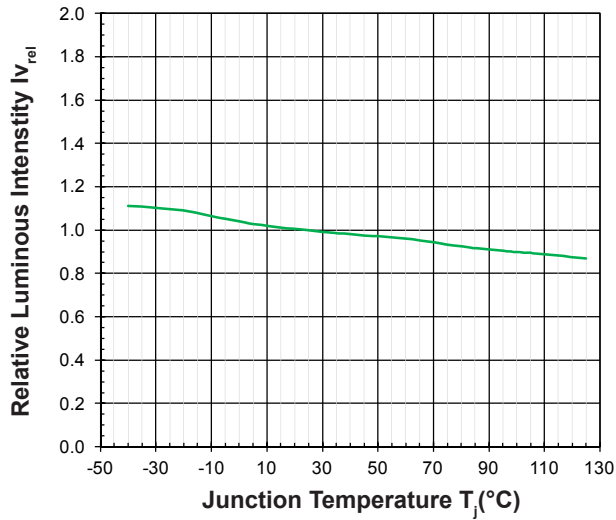
$I_v / I_v (25^\circ\text{C}) = f(T_j)$; Color Setpoint= (255,0,0)
 Red (Non-Linear Compensation)

**Please refer to application note for non-linear look-up table*



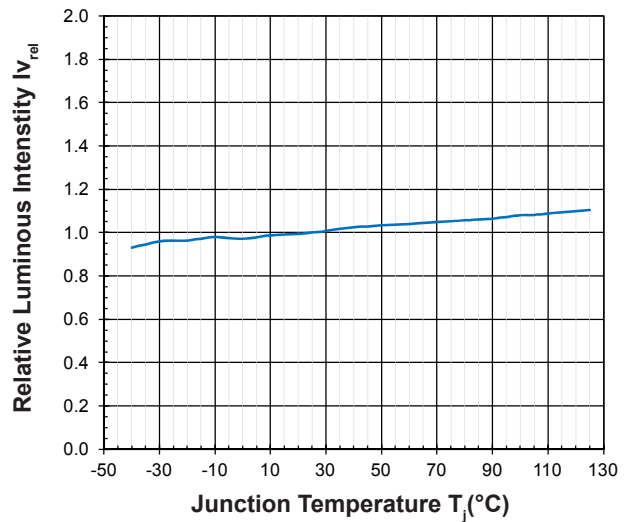
Relative Luminous Intensity Vs Junction Temperature

$I_v / I_v (25^\circ\text{C}) = f(T_j)$; Color Setpoint= (0,255,0)
 True Green



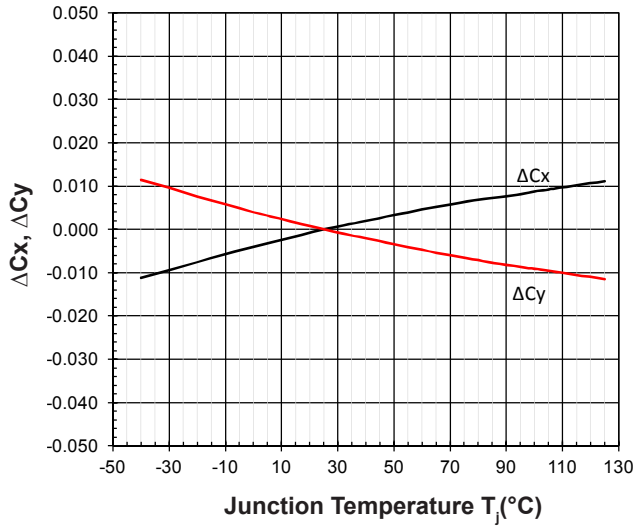
Relative Luminous Intensity Vs Junction Temperature

$I_v / I_v (25^\circ\text{C}) = f(T_j)$; Color Setpoint= (0,0,255)
 Blue



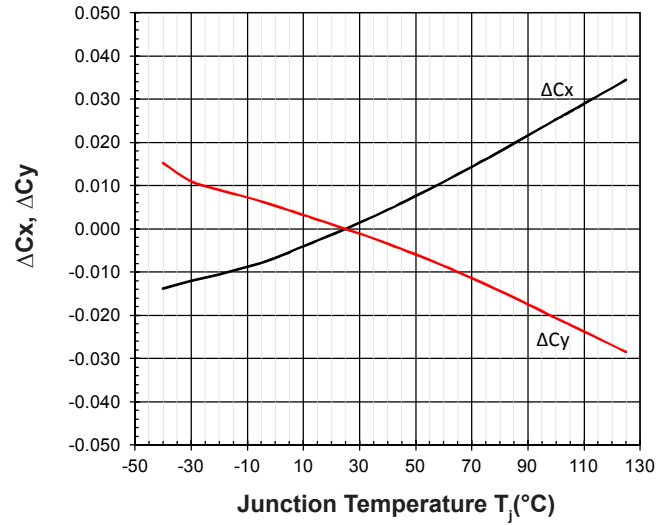
Chromaticity Coordinate Shift Vs Junction Temperature

$\Delta Cx, \Delta Cy = f(T_j)$; Color Setpoint= (255,0,0)
 Red



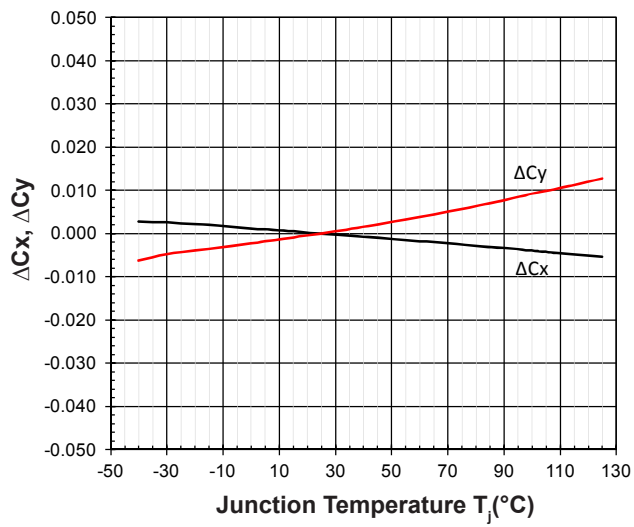
Chromaticity Coordinate Shift Vs Junction Temperature

$\Delta Cx, \Delta Cy = f(T_j)$; Color Setpoint= (0,255,0)
 True Green

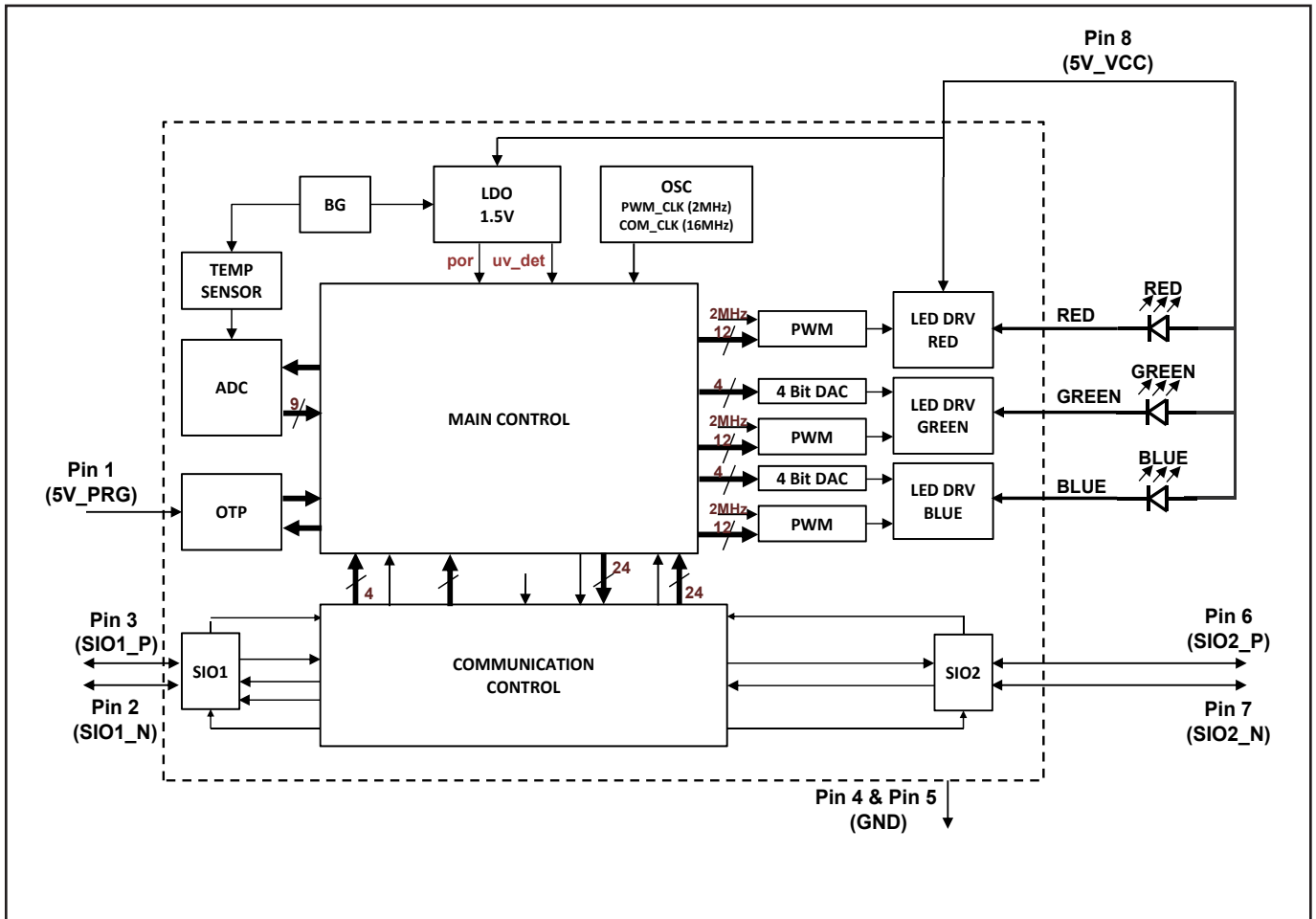


Chromaticity Coordinate Shift Vs Junction Temperature

$\Delta Cx, \Delta Cy = f(T_j)$; Color Setpoint= (0,0,255)
 Blue

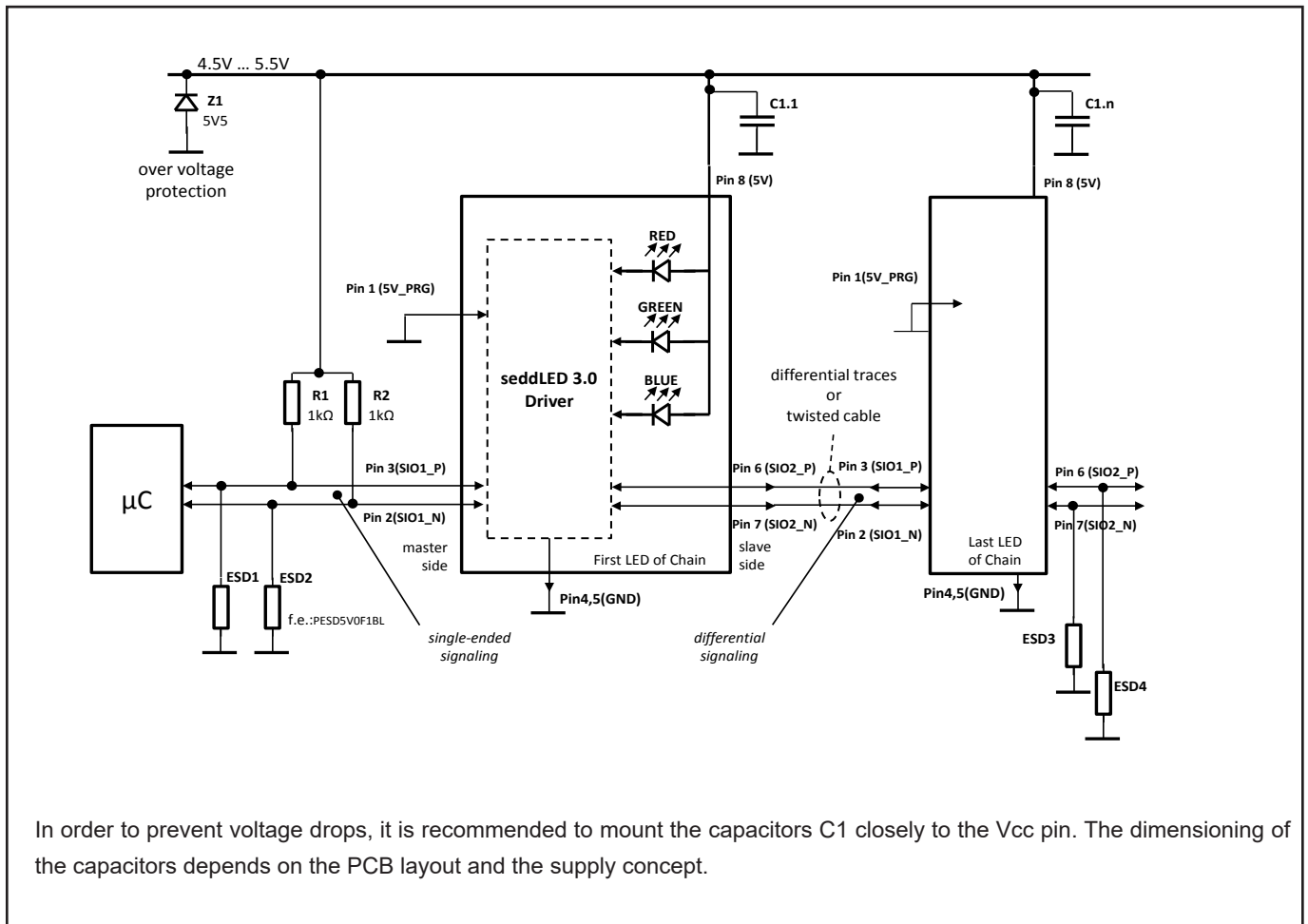


Functional Block Diagram



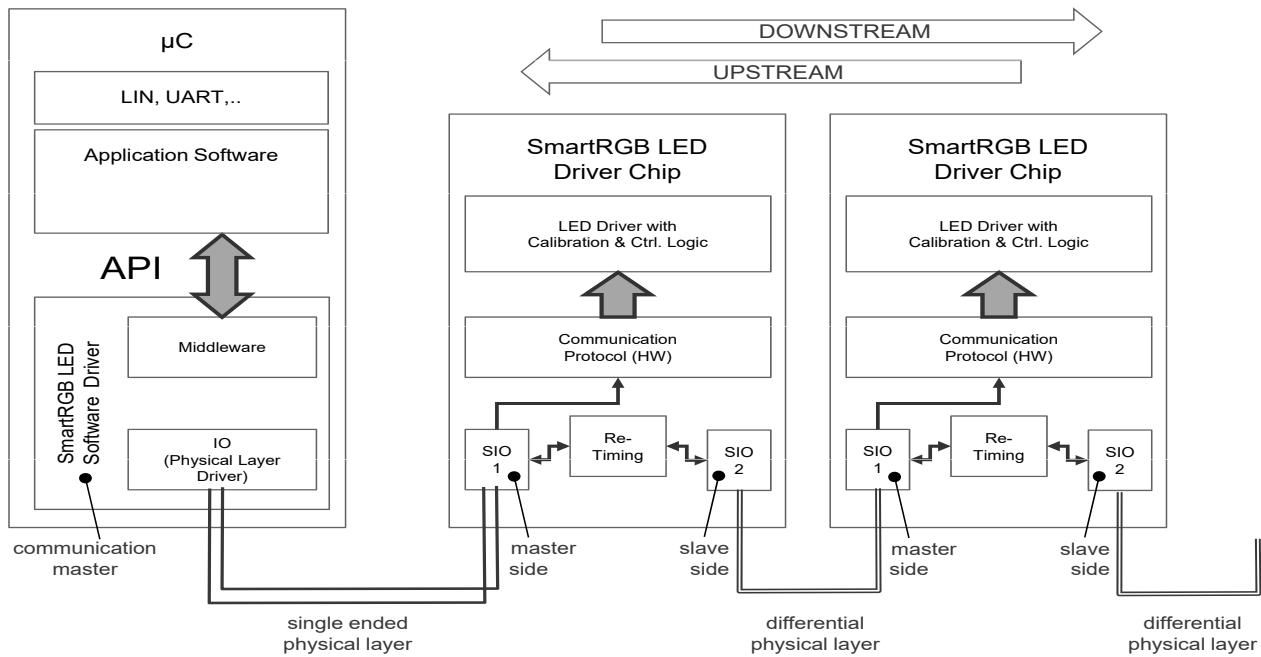
The device implements a communication for the reception of control commands and for providing device status and configuration data. Low side, configurable constant current sinks are provided for controlling 3 LEDs (RGB). The Main Unit computes the PWM duty cycles from the incoming commands and applies the corresponding control values to the three PWM units. The Main Unit is also in charge of a periodic temperature measurement and an appropriate duty cycle adjustment for the red PWM channel. The actual device temperature is obtained via an integrated analog-digital converter (ADC). Besides the temperature the ADC can also measure various other analog values. These measurements are always triggered by a command from the host. The result of the corresponding A/D conversion is also retrieved by a host command. As each device is individually calibrated to compensate for production variations, the corresponding parameters can be stored in an on-die non-volatile memory. This one-time-programmable memory (OTP) is read at hardware reset and the parameters are copied from the OTP to directly accessible registers.

Typical Application Layout



Bidirectional / Single Ended and Differential

Serial Communication



The attachment to the adjacent devices in the chain is made up by two bidirectional differential serial communication lines. The direction towards the controlling microcontroller device is referred to as the “upstream” connection. The opposite direction towards the end of the chain is the “downstream” link. Both links are controlled by the Communication Unit. Incoming command frames from upstream and responses from downstream are passed to the Main Unit which is responsible for command processing and overall device control. Commands always originate from the controlling microcontroller. The microcontroller is referred to as the “host” in this document.

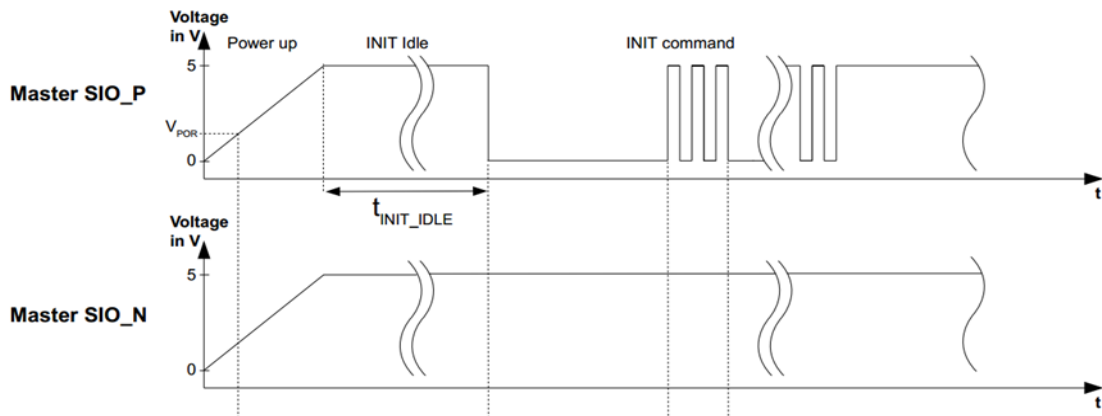
The gross data rate on the serial line is 2 Mbit/s, i.e. each bit has a nominal duration of 500 ns. As the on-die oscillator has a very limited accuracy, the actual bit time may vary significantly. The whole system is designed for a maximum oscillator variance of $\pm 30\%$. With the nominal oscillator frequency being 16 MHz, the actual frequency range is 11.2...20.8 MHz.

The device directly attached to the host does not use the differential line mode on the upstream side. Instead a single-ended line mode is used. The single-ended mode is intended to allow for an easy attachment to industry standard microcontrollers. Both single-ended lines require an external pull-up at the microcontroller to 5V.

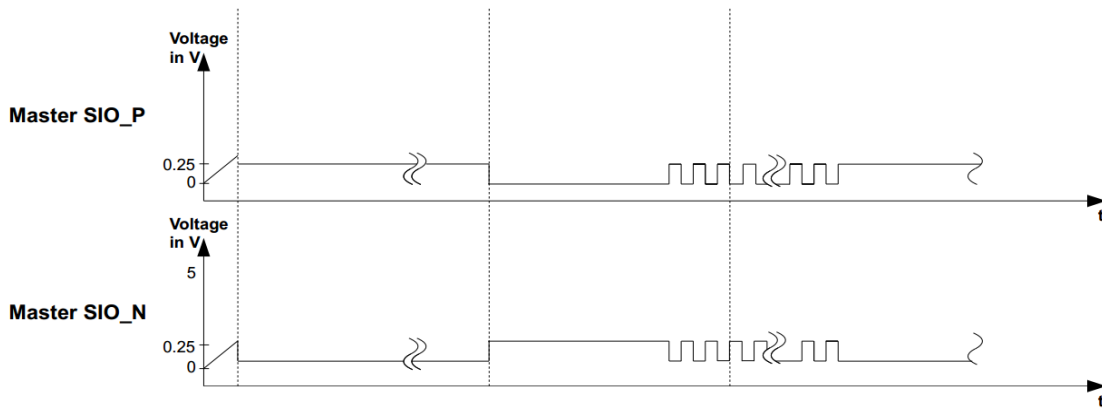
Automatic Detection of the Serial Line Mode

During start-up, the devices automatically detect the mode of the upstream and the downstream link. The upstream link may be either single-ended or differential. If a device detects the upstream to be single-ended, it is the first in the chain of LEDs.

The downstream link may be either differential or unconnected, i.e. the device is the last in the chain of LEDs. After power-up, an idle of $t_{\text{INIT Idle}} = 150\mu\text{s}$ is recommended before the initialization. If during the initialization, while receiving the enumeration command, the master SIO_N pin is single ended high (5V), the device is switched into single-ended communication mode for this port. The detected mode is stored and used for all following communications until a power cycle or a reset command.



Single ended startup (first device in chain)



Differential startup (devices in chain >1)

Recommended INIT Idle

Parameter	Description	Min.	Typ.	Max.	Unit
$t_{\text{INIT Idle}}$	INIT Idle directly after power up	150	-	-	μs

Half-Duplex Communication

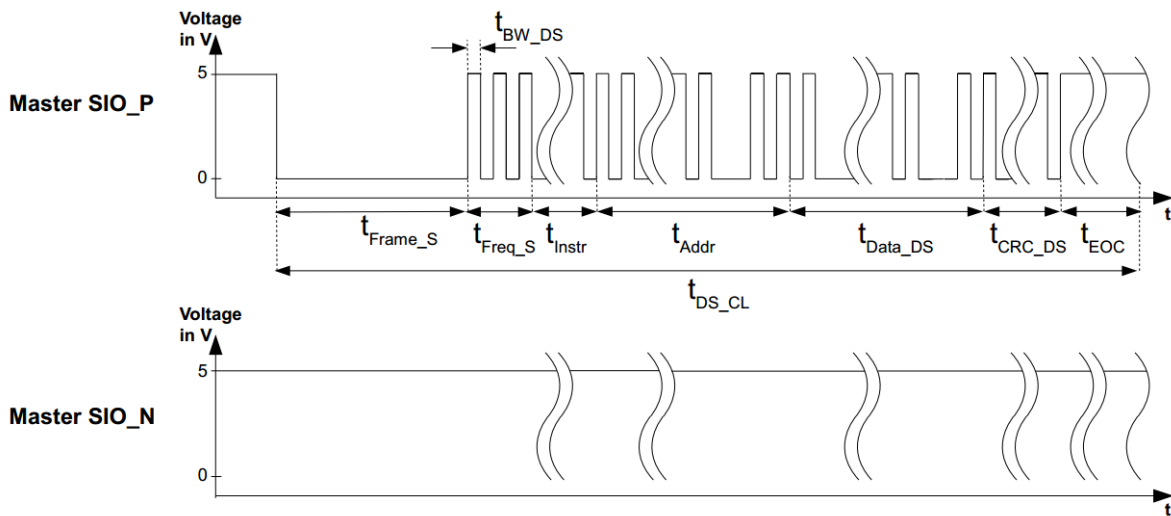
The communication operates in a strict master slave manner. I.e. the microcontroller as the master always initiates a communication. Depending on the type of command the LED devices may send a response (read access) or just silently execute the command (write access). There are three basic types of commands which are described in the following.

Basic Frame Format

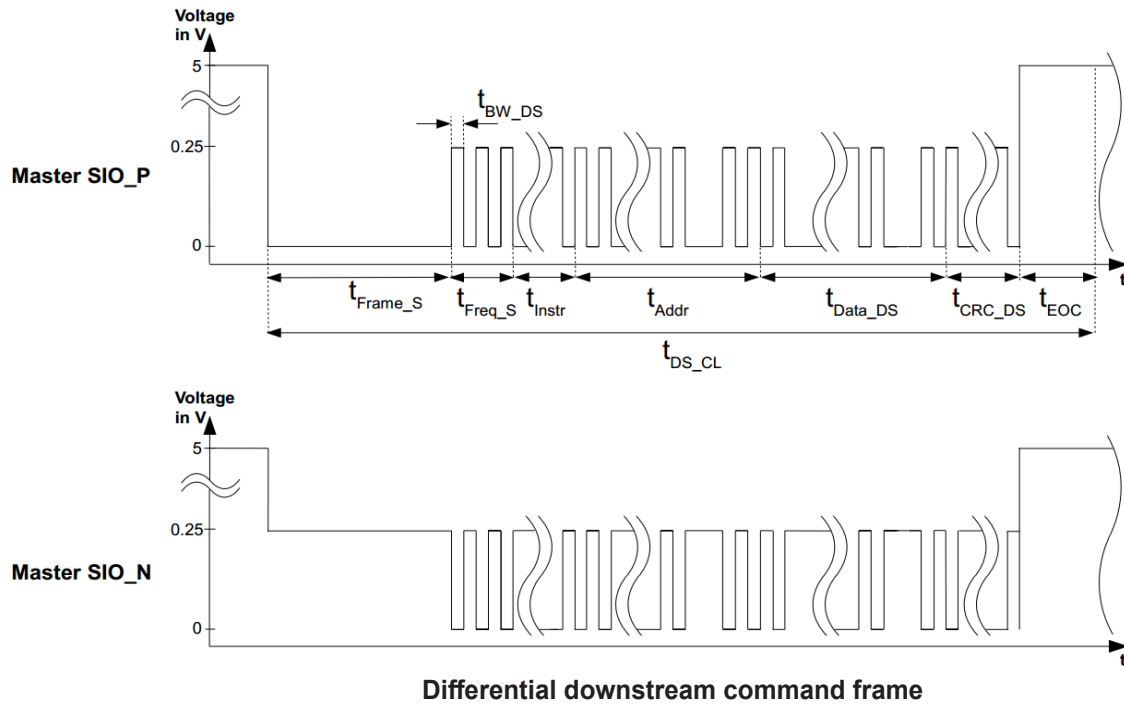
Commands and the response to commands are transmitted with serial frames. A serial frame always consist of a frame_sync section, followed by a frequency_sync section, followed by a run length coded command section and finally terminated with an optional CRC section. The command and the CRC sections differ in length between downstream and upstream frames.

The chosen bit encoding ensures a maximum number of adjacent zeros of 4 and a maximum number of adjacent ones of 5 on the serial line. Some of the bit patterns which cannot occur during regular data transmission are used for special purposes. A pattern of 6 or more 1-bits is considered as the bus-idle condition. The bus is idle, when no communication is currently ongoing. A pattern of 15 0-bits is recognized as the so-called frame synchronization. This is the sequence to begin a new frame. The pattern "10101" is the so-called frequency synchronization pattern. It is used after the frame synchronization to determine the transmitter's gross data rate.

Downstream communication is defined as data inputs at SIO1 and outputs at SIO2. This is the data flow for write commands. Upstream respectively is defined as data inputs at SIO2 and outputs at SIO1. This is the data flow for the read response

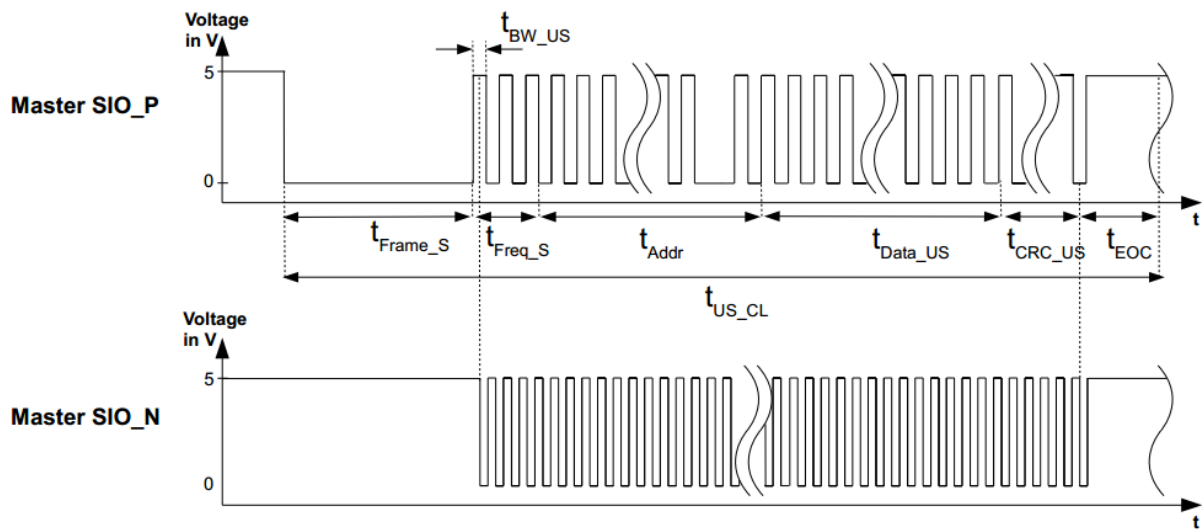


Single ended downstream command frame

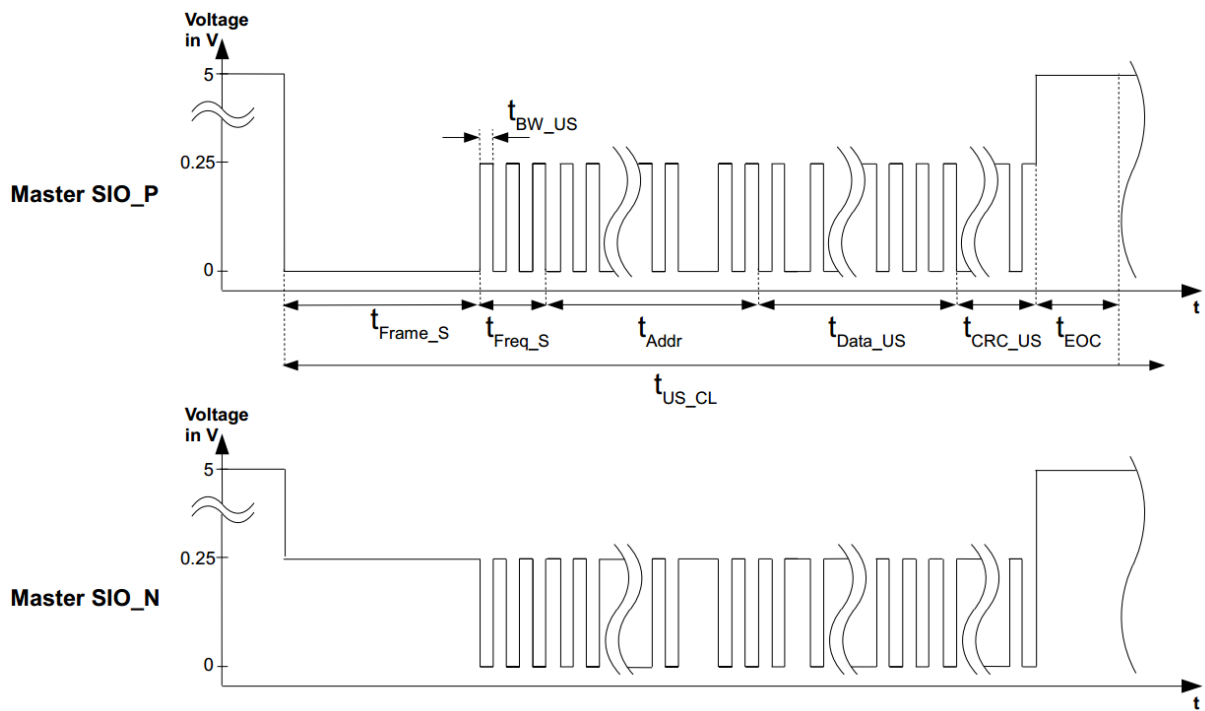


Downstream command frame parameters

Parameter	Description	Min.	Typ.	Max.	Unit
t _{BW_DS}	Downstream bit width	384	500	714	ns
t _{DS_CL}	Downstream command length				
	CRC enabled		86 x t _{BW_DS}		ns
	CRC disabled		76 x t _{BW_DS}		ns
t _{Frame_S}	Frame sync		15 x t _{BW_DS}		ns
t _{Freq_S}	Frequency sync		5 x t _{BW_DS}		ns
t _{Inst}	Instruction		5 x t _{BW_DS}		ns
t _{Addr}	Address		15 x t _{BW_DS}		ns
t _{Data_DS}	Downstream Data		30 x t _{BW_DS}		ns
t _{CRC_DS}	CRC downstream		10 x t _{BW_DS}		ns
t _{EOC}	End of command Idle		6 x t _{BW_DS}		ns



Single ended upstream response frame



Differential upstream response frame

Upstream command frame parameters

Parameter	Description	Min.	Typ.	Max.	Unit
t _{BW_US}	Upstream bit width	384	500	714	ns
t _{US_CL}	Upstream command length				
	CRC enabled		61 x t _{BW_US}		ns
	CRC disabled		56 x t _{BW_US}		ns
t _{Frame_S}	Frame sync		15 x t _{BW_US}		ns
t _{Freq_S}	Frequency sync		5 x t _{BW_US}		ns
t _{Addr}	Address		15 x t _{BW_US}		ns
t _{Data_US}	Upstream Data		15 x t _{BW_US}		ns
t _{CRC_US}	CRC upstream		5 x t _{BW_US}		ns
t _{EOC}	End of command Idle		6 x t _{BW_US}		ns

Bit Retransmission

To ensure a correct bit-timing, the forwarded data is regenerated with the clock of the device. The retransmission starts with its own frame-sync when it can be guaranteed that a valid frame-sync timing can be created. A new frequency synchronization is only created after the freq-sync on the reception side has been received (the first four bits). Therefore the minimum propagation delay t_{pd} introduced by the retransmission is four bit widths t_{BW}.

Propagation delay *Appx. 3.1*

Parameter	Description	Min.	Typ.	Max.	Unit
t _{pd}	Propagation delay	2.0	4.0	5.2	µs

To guarantee a correct bit-timing the device uses its own clock as reference and will never transmit faster than its own bit-timing defines, but if the received freq-sync was slower, this timing is used for the retransmission.

The retransmission uses a FIFO to compensate for speed differences between reception and transmission.

Due to the variance in the oscillator clocks of different devices, after each transmission a pause of 43% of the nominal transmission time has to be introduced. If the transmission is created by a chip with ±30% oscillator clock variation the time has to be increased to a total of 70% of the transmission duration.

Initialization

The digLED_Init_Strip command initializes a particular LED chain by issuing the command on an associated ISELED communication channel.

This command is always the first command to be transmitted after power-up or reset. The command initializes a chain of devices by assigning the address of the device and by enabling or disabling the phase shift, the CRC and temperature compensation functions. The digLED_Init_Strip command is always executed with a CRC checksum. This is true for both, the command and the response frame.

If any command is received by a device before initialization, the command is always considered as illegal and the error status bit for an undefined command is set. This may happen in the chain's first device only, as a non-initialized device does not forward received messages.

If the first device in the chain receives a digLED_Init_Strip command, it takes the received address as its own device address and afterwards transmits another digLED_Init_Strip frame to the next device in the chain. It increments the address before the transmission. As the adjacent devices proceed in the same manner, the devices in the chain get enumerated with ascending addresses. When the final device in the chain recognizes there is no receiving device at its downstream link, it transmits a response frame upstream. The response frame to a digLED_Init_Strip command carries the configuration word read from the OTP. It also transmits the own devices address just initialized.

All upstream devices wait for the responses to be received and forward them towards the microcontroller.

If a frame with an address equal to the adjacent device address (own address plus one) is received, the own response to the digLED_Init_Strip command is transmitted thereafter. If the first device has transmitted its response frame, the chain is ready to process regular commands (non-Init frames).

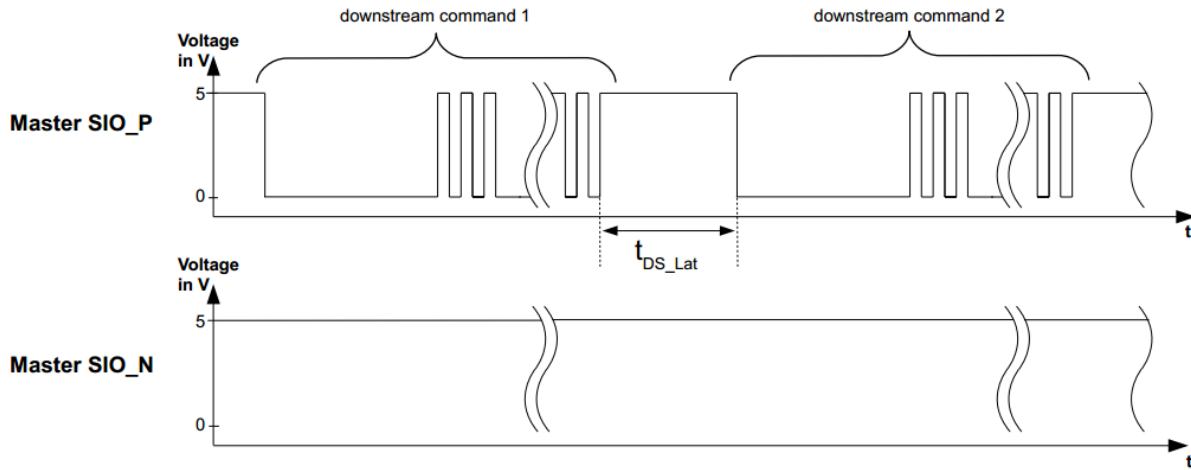
As soon as a device is initialized, it unconditionally forwards incoming correct frames (Frame-Sync, Freq-Sync and the RLC coding as well as the frame length are checked) to the adjacent node in the chain.

Frames received from upstream are forwarded downstream and vice versa. If an error is detected, the forwarding is stopped for this frame.

Parameter	Description	Min.
t _{INIT}	Initialization duration	$n \times (t_{DS_CL} + t_{US_CL} + 2 \times t_{PD})$

Write Access

Most commands of the LED Controller are write-only commands. I.e. the devices receive a command frame and execute the appropriate actions without any further communication. A write access command may be directed to a single device (unicast), to all devices (broadcast), or to a defined group of devices (multicast). As every command frame is forwarded downstream irrespective of its destination address, all stations always receive all commands. Only its execution depends on the commands destination address. To avoid communication issues, it is recommended to wait 30% of the command length between two consecutive commands.



Multiple single ended downstream commands

Recommended latency between downstream commands

Parameter	Description	Min.
t_{DS_Lat}	Latency between two downstream commands	$0.3 \times t_{DS_CL}$

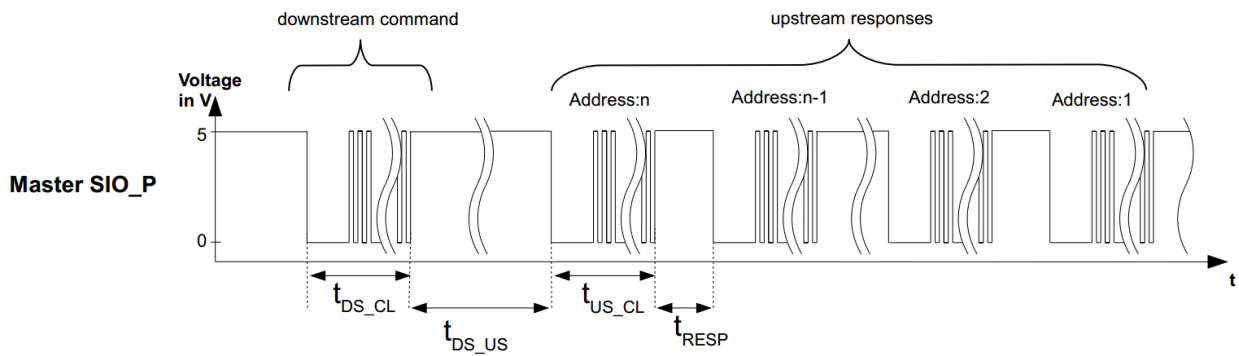
Read Access

A read access consists of two phases, the command and the response phase. The command phase uses downstream communication and the response phase uses upstream communication. Commands for read access do not use the command address, i.e. these commands may not be directed to a device based on the device address.

There are two commands for read access, digLED_Read and digLED_Ping. The digLED_Read commands retrieve a status information from all devices and the digLED_Ping command is used to check the device chain's integrity. Only the final node in the chain responds to a PING command.

A digLED_Read command is first received by all devices via the frame in downstream direction. The last node in the chain then immediately transmits its response frame upstream. The response frame's data field depends on the actual digLED_Read command. The response frame's address field is set according to the own device's address. All the nodes upstream forward all received response frames until a frame with the address of their adjacent node is received. Then the respective node transmits its own response frame. This procedure lasts until the chain's first node has transmitted its response frame.

A digLED_Ping command is similar to a digLED_Read command, but only the last device in the chain responds to a digLED_Ping. Thus, the digLED_Ping command is executed much faster than a regular digLED_Read command.



Single ended read command & responses

Down- and upstream delay, delay between responses

Name	Description	Formula
t _{DS_US}	Delay between down- and upstream	$t_{DS_CL} + t_{US_CL} + 2 \times n \times t_{PD}$
t _{RESP}	Delay between responses	
	Oscillator variation of adjacent devices < ±30%	$0.43 \times t_{US_CL}$
	Oscillator variation of adjacent devices > ±30%	$0.7 \times t_{US_CL}$

Timeouts

The digLED_Init_Strip, all the digLED_Read, and the digLED_Ping commands initiate upstream data transmission. With the digLED_Init_Strip and the read commands all nodes are expected to send a response to the host. The digLED_Ping requires only the last node in the LED chain to respond. However, in all cases each node needs to await all responses originating from the nodes downstream. Thereafter either the node's own response is transmitted or new commands are accepted. Only the last node in the LED chain may immediately transmit its response.

In case there is an error with the chain downstream, not all expected responses may arrive. Thus, each of the commands expecting a response waits for a certain time only and then returns to its previous state without having transmitted the node's response data.

The lengths of the timeouts depend on the respective command. They are calculated to account for the worst-case oscillator frequency tolerance. I.e. the waiting node has a high-speed clock and all the nodes waited for have a low speed clock. The hardware implementation uses an internally divided clock for the timeout counter:

$$f[\text{timeout}] = f[\text{osc}] / 214$$

With the nominal clock frequency of 16MHz the counter's resolution results to 1.024ms.

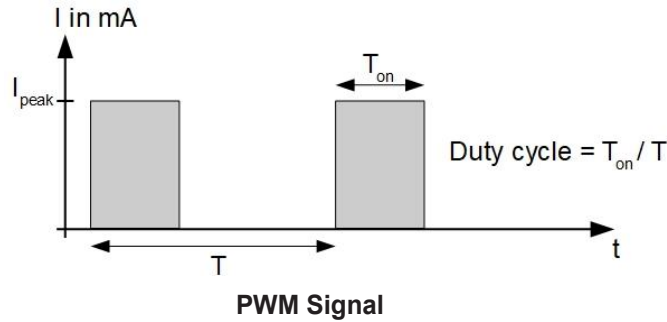
Timeouts *Appx. 3.1*

Command	Max. counter value	Min. timeout	Nom. timeout	Max. timeout	Unit
digLED_Init_Strip	992	780.6	1015.3	1451.2	ms
digLED_Read_*	427	335.6	436.7	624.6	ms
digLED_Ping	62	48.0	63.0	90.7	ms

PWM Units

Basic Mode of Operation

The LED controller device incorporates three independent PWM channels, one for each LED.



The resolution is 12 bit. The supported duty cycles are 0/4096 to 4095/4096. The nominal PWM output frequency is 16MHz/215 = 488.3Hz. The frequency is reduced to the half or the quarter of this frequency with low duty cycles. This ensures a minimum on-time of 2µs for the LEDs. The minimum output frequency is 122Hz. The output frequency is not derived from the actual PWM duty cycle but from the RGB value received from the host. As the DIM command also has impact to the LED intensity, it is accounted for as well. The actual relationship is given in the following table.

DIM parameter relationships between RGB parameters and PWM frequencies

DIM	RGB Parameter	PWM Frequency in Hz
0	8 ... 255	488
	4 ... 7	244
	0 ... 3	122
1	16 ... 255	488
	8 ... 15	244
	0 ... 7	122
2	32 ... 255	488
	16 ... 31	244
	0 ... 15	122
3	64 ... 255	488
	32 ... 63	244
	0 ... 31	122

The output frequency is determined independently for each of the PWM channels.

Update

When a new PWM duty cycle has to be applied, this is always done at the end of a PWM cycle. I.e. the PWM always completes an output cycle using the previously active duty cycle and starts the next output cycle using the updated duty cycle.

Phase Shift

To spread the LED's current consumption over time, the three PWM channels have a fixed phase shift to each other. This phase shift is retained even if the output frequency of the channels is different. If a channel is operating at a lower frequency, it may be considered to leave out one or three full PWM cycles. When leaving power save mode, the channels are restarted appropriately to again obtain the correct phase shift.

The fixed phase shift is defined in the following table. Please note the absolute phase shift times are nominal values. I.e. they are subject to vary with the internal oscillator's frequency.

Phase Shift

PWM Channel	Rel. Phase Shift
Green	0%
Red	25%
Blue	75%

Power Save Mode

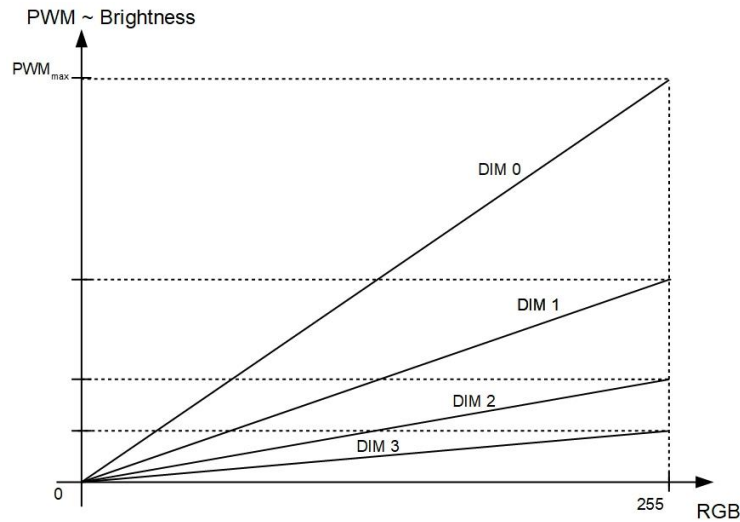
When all LED channels are set to an intensity of 0, the device enters a power save mode for the current sources driving the LEDs. I.e. the digLED_Set_RGB command must be issued with an RGB value of 0x000000 to enter the power save mode.

Recovering from this mode does not require any particular measures. I.e. the host just needs to issue a digLED_Set_RGB command with the data field different from 0x000000 and the current sources are restarted again. There is a delay of approx. 1µs before the restart of the green PWM channel (no phase shift applies to the green channel).

This is due to an internal ramp-up required by the analog circuitry. The same procedure is applied after device power-up or a hardware reset, as the initial RGB value is 0x000000. I.e. the LEDs are all turned off after power-up or a hardware reset.

DIM Function for Accurate Low Light Colors

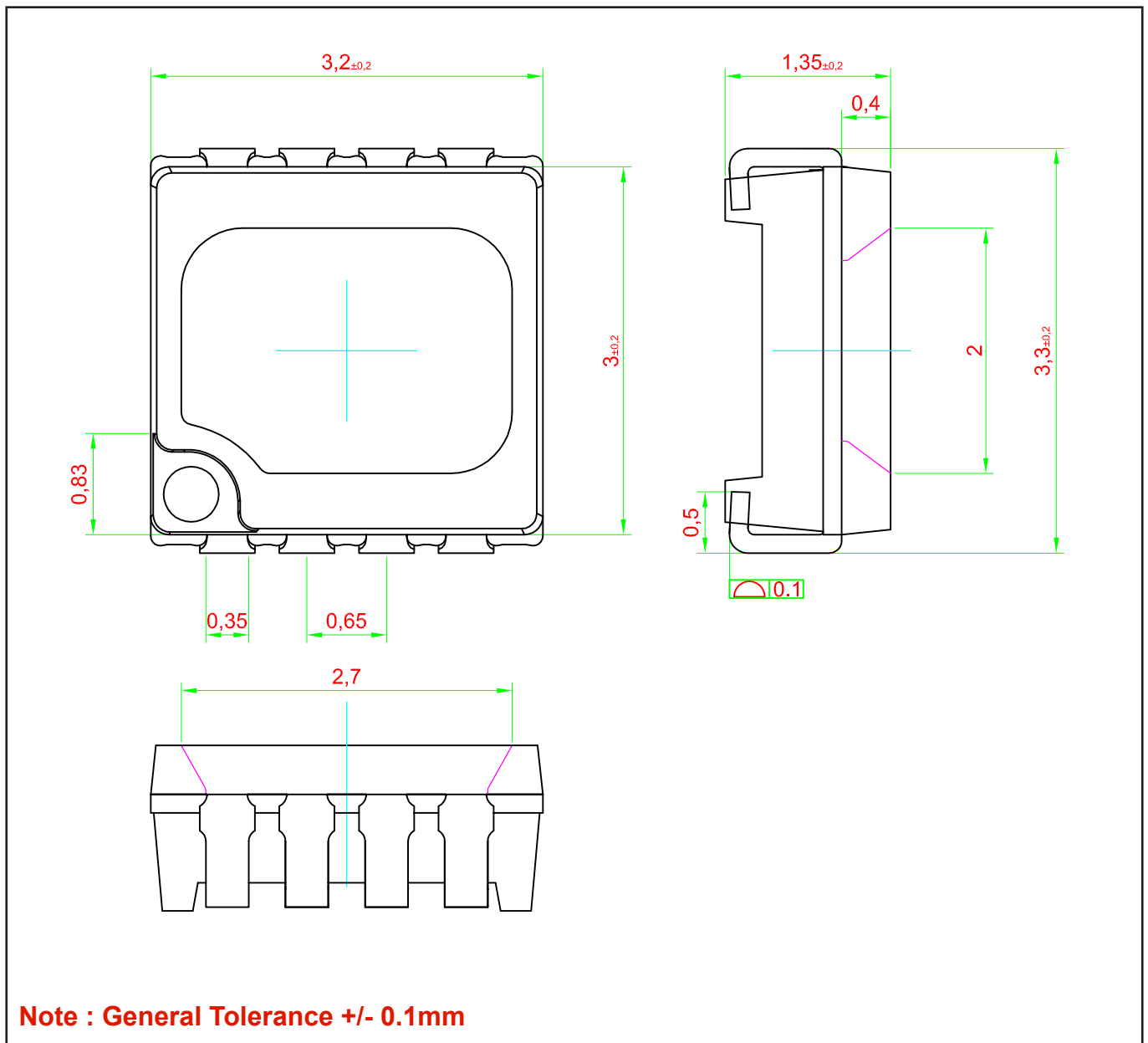
To extend the digLED_Set_RGB command's resolution for accurate low light colors, the seddLED provides the digLED_Dim command. The command divides the PWM duty cycles computed from the RGB setting. There are four divisors available. Details are shown in below Figure and Table.



DIM Function

DIM	Relative PWM Ratio
0	1
1	1/2
2	1/4
3	1/8

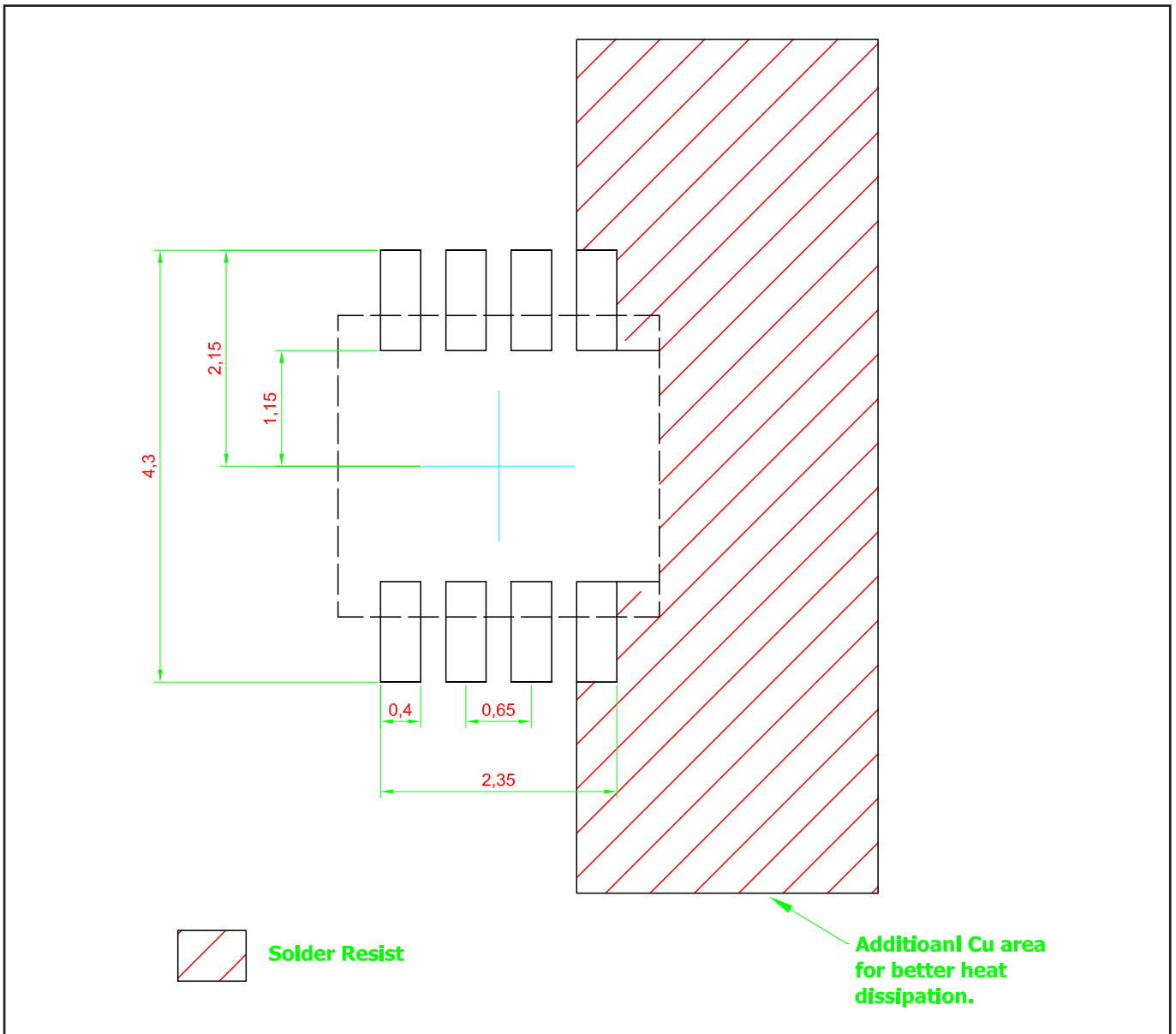
seddLED3.0 A3A-FKG-RGB-1 Package Outlines



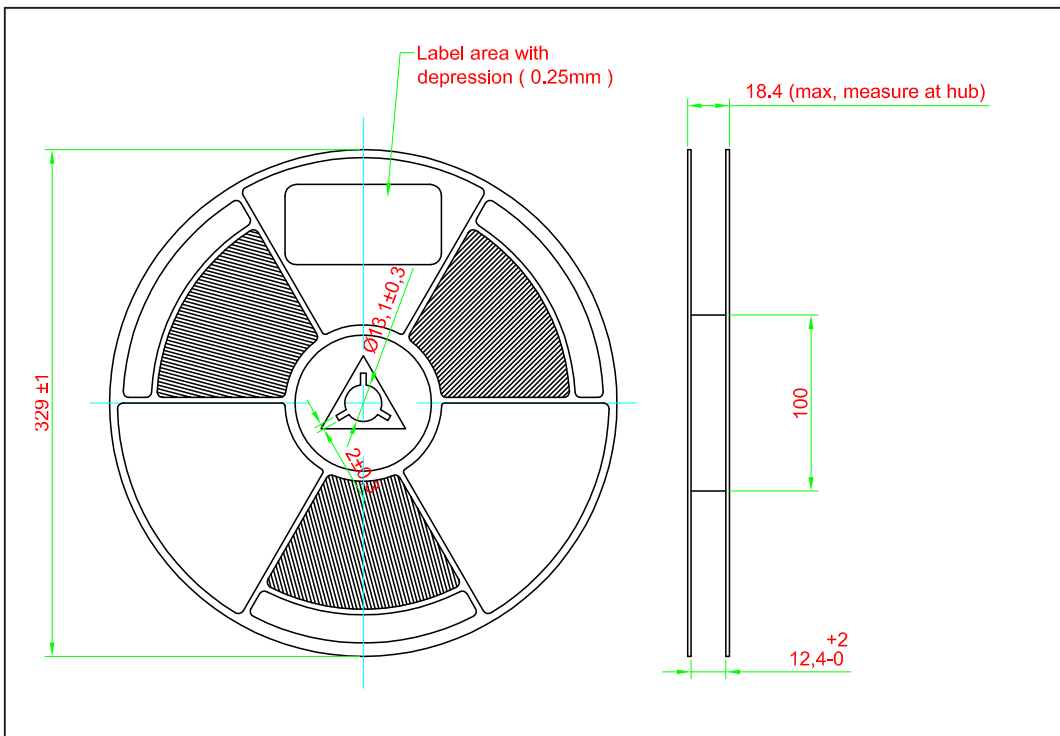
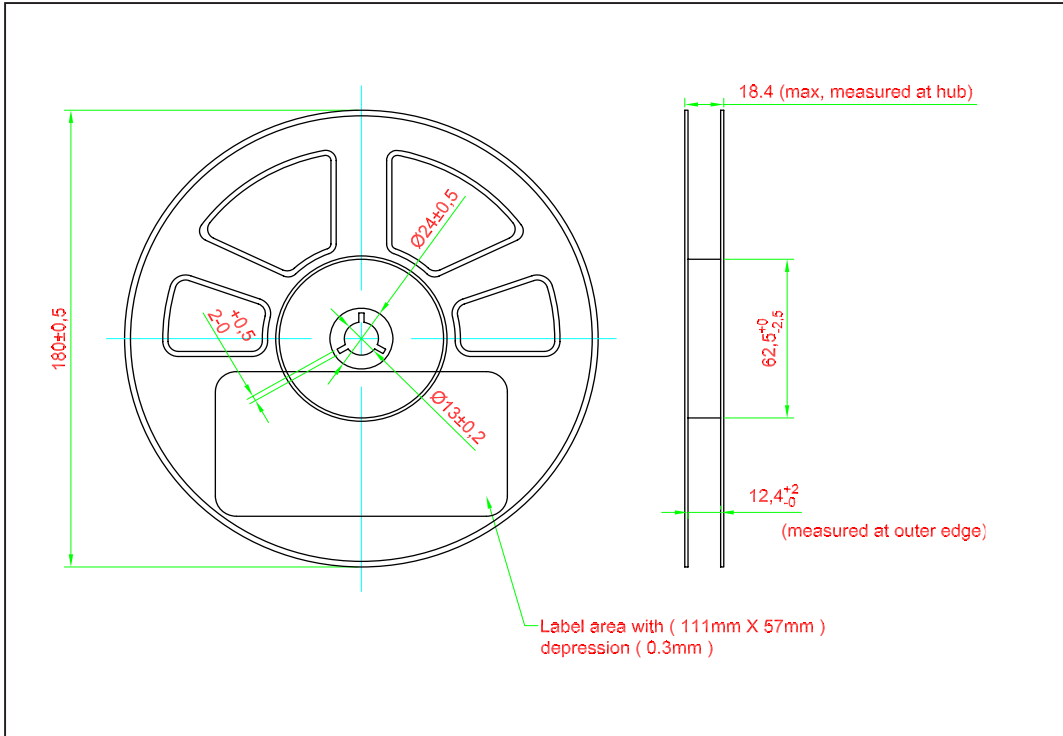
Material

Material	
Lead-frame	Cu Alloy With Au Plating
Housing	High Temperature Resistant Plastic
Encapsulant	Silicone Resin
Soldering Leads	Au Plating

Recommended Solder Pad



Packaging Specification

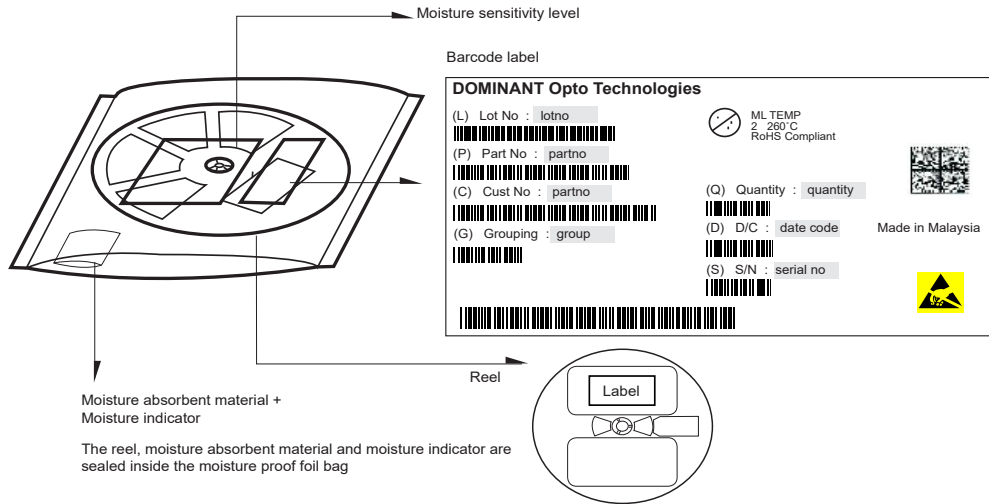


	Reel Diameter (mm)	Quantity (pcs)	*Ordering Number
Standard Packing	180	1000	A3A-FKG-RGB-1
Optional Packing	329	5000	A3A-FKG-RGB-1-5

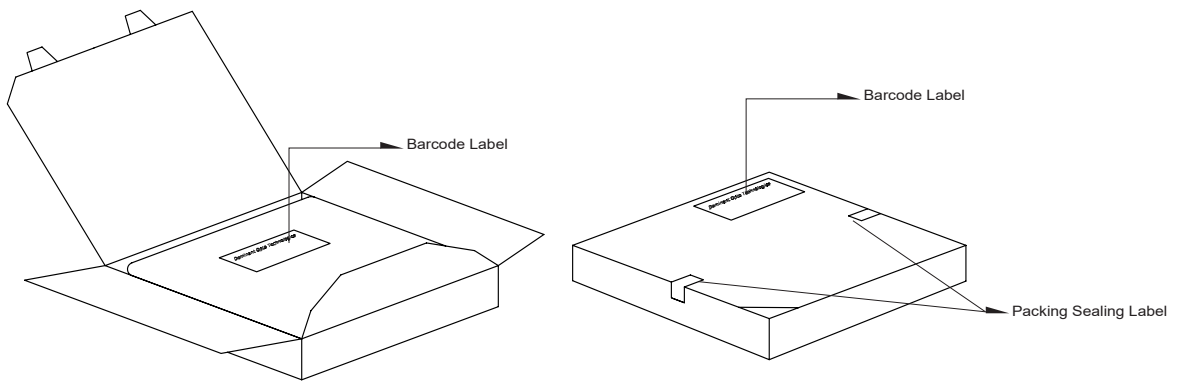
Notes:

* For ordering purpose only. Please consult sales and marketing for details.

Packaging Specification



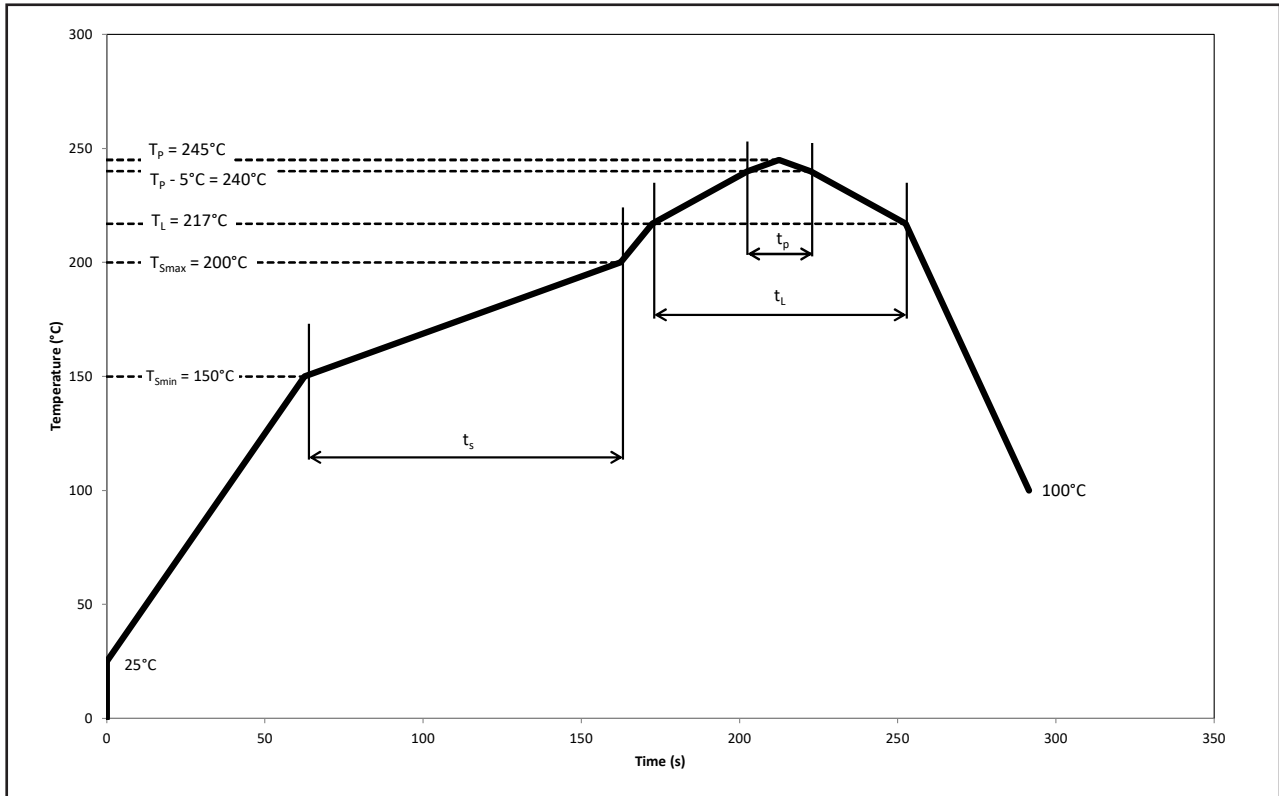
Quantity per bag (pcs)	Average 1pc seddLED3.0	1 completed bag (gram)
1000	0.023	230 ± 10
5000	0.023	720 ± 10



Reel Diameter (mm)	Packing Box Dimensions (mm)
180	210 x 210 x 20
329	345 x 345 x 20

Recommended Pb-free Soldering Profile

Product complies to MSL Level 2 acc. to JEDEC J-STD-020E



Profile Feature	Symbol	Pb-Free Assembly			Unit
		Min.	Recommended	Max.	
Ramp-up rate to preheat 25°C to T_{smin}	-	-	2	3	°C/s
Time t_s T_{smin} to T_{smax}	t_s	60	100	120	s
Ramp-up rate to peak T_L to T_p	-	-	2	3	°C/s
Liquidous temperature	T_L	-	217	-	°C
Time above liquidous temperature	t_L	60	80	150	s
Peak temperature	T_p	-	245	260	°C
Time within 5°C of the specified peak temperature $T_p - 5^\circ\text{C}$	t_p	10	20	30	s
Ramp-down rate T_p to 100°C	-	-	3	6	°C/s
Time 25°C to T_p	-	-	-	480	s

Appendix

1) **Brightness:**

- 1.1 Luminous intensity is measured with an internal reproducibility of $\pm 8 \%$ and an expanded uncertainty of $\pm 11 \%$ (according to GUM with a coverage factor of $k=3$).
- 1.2 Luminous flux is measured with an internal reproducibility of $\pm 8 \%$ and an expanded uncertainty of $\pm 11 \%$ (according to GUM with a coverage factor of $k=3$).

2) **Color:**

- 2.1 Chromaticity coordinate groups are measured with an internal reproducibility of ± 0.005 and an expanded uncertainty of ± 0.01 (accordingly to GUM with a coverage factor of $k=3$).
- 2.2 DOMINANT wavelength is measured with an internal reproducibility of $\pm 0.5\text{nm}$ and an expanded uncertainty of $\pm 1\text{nm}$ (accordingly to GUM with a coverage factor of $k=3$).

3)

- 3.1 The stated value is derived from statistical distribution.

Revision History

Page	Subjects	Date of Modification
-	Initial Release	15 Jan 2021
1	Update Applications	16 Jan 2023

NOTE

All the information contained in this document is considered to be reliable at the time of publishing. However, DOMINANT Opto Technologies does not assume any liability arising out of the application or use of any product described herein.

DOMINANT Opto Technologies reserves the right to make changes to any products in order to improve reliability, function or design.

DOMINANT Opto Technologies products are not authorized for use as critical components in life support devices or systems without the express written approval from the Managing Director of DOMINANT Opto Technologies.

Dispose of product is in accordance with local, regional, national and international regulations.

About Us

DOMINANT Opto Technologies is a dynamic company that is amongst the world's leading automotive LED manufacturers. With an extensive industry experience and relentless pursuit of innovation, DOMINANT's state-of-art manufacturing and development capabilities have become a trusted and reliable brand across the globe. More information about DOMINANT Opto Technologies, an IATF 16949 and ISO 14001 certified company, can be found under <http://www.dominant-semi.com>.

Please contact us for more information:

DOMINANT Opto Technologies Sdn. Bhd
Lot 6, Batu Berendam, FTZ Phase III, 75350 Melaka, Malaysia.
Tel: +606 283 3566 Fax: +606 283 0566
E-mail: sales@dominant-semi.com
